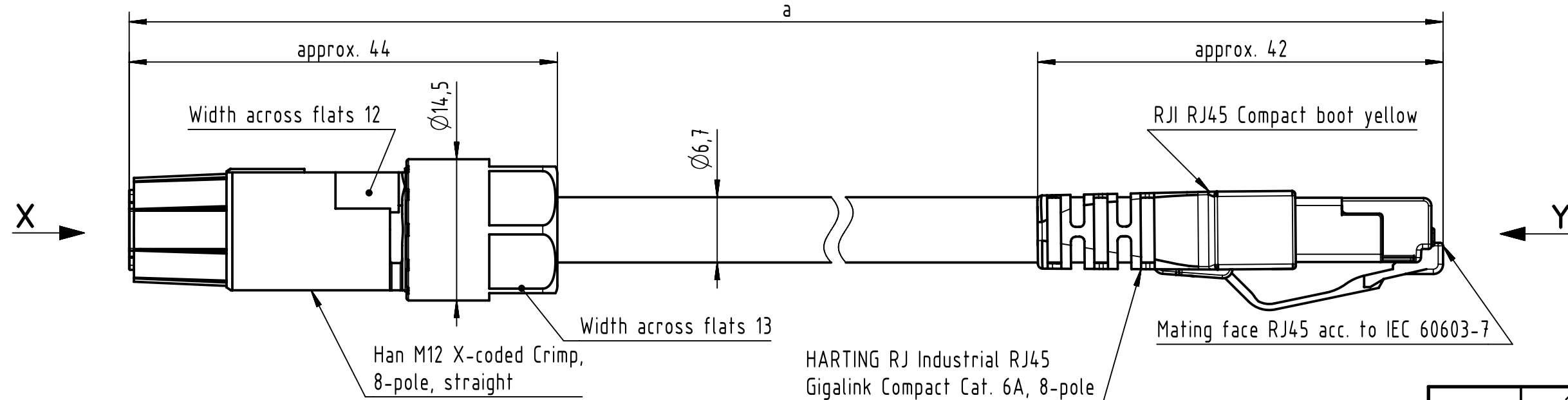


Connector Location A

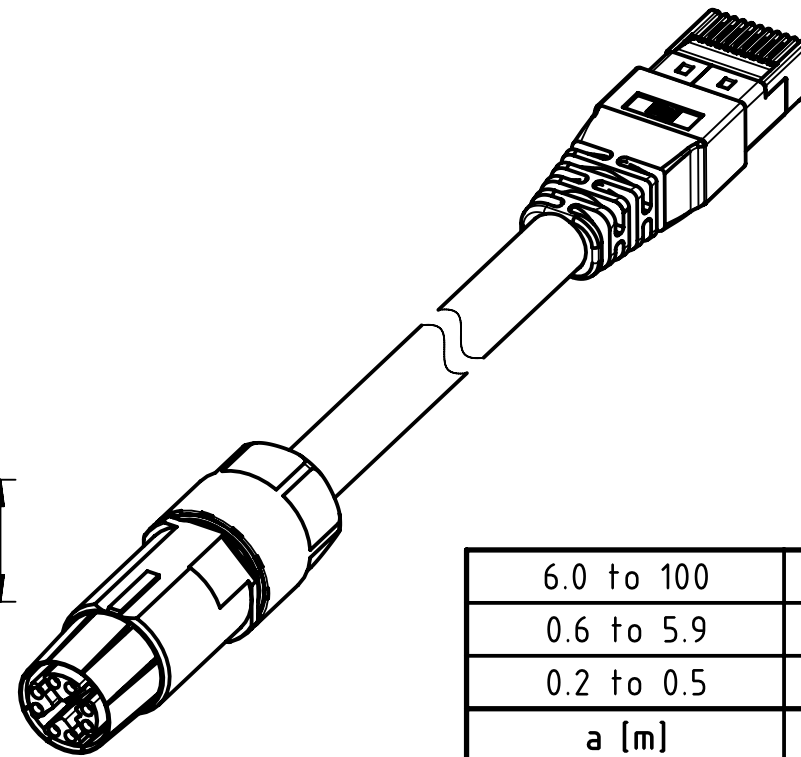
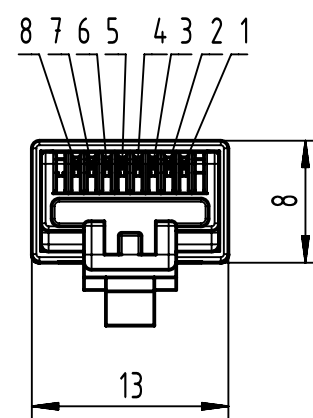
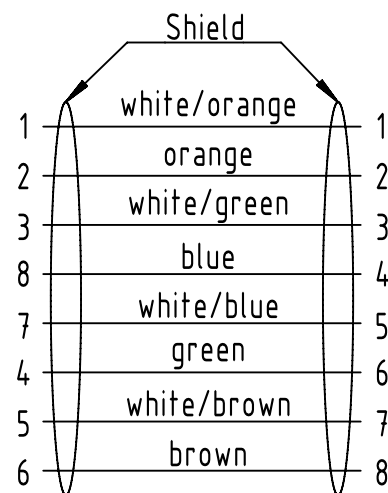
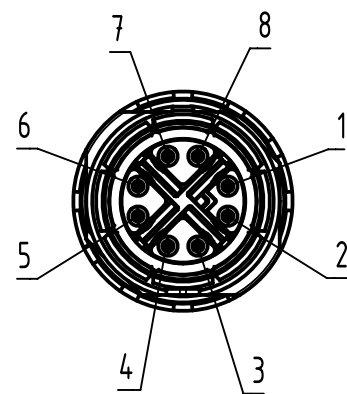
Connector Location B



X female

Loading Plan acc. to TIA/EIA 568B

Y male



6.0 to 100	±1%
0.6 to 5.9	+0.04
0.2 to 0.5	+0.02
a [m]	Tolerance

length in "1m" step	100	XXX=000
	99	XXX=990
	12	XXX=120
	11	XXX=110
length in "0.1m" step	10	XXX=100
	9.9	XXX=099
	9.8	XXX=098
	0.5	XXX=005
	0.4	XXX=004
	0.3	XXX=003
0.2	XXX=002	
Step	a [m]	XXX

HARTING IE Cat.6A 4x2xAWG 26/7 PUR, yellow	0948C592756XXX
Type of cable	Part no.

NOTE:
 * Cat.6A 10 Gbit/s Ethernet transmission possible for lengths up to 45m
 - Temperature range: -40°C ... +70°C

	All rights reserved	Created by MUNTEANV Muntean	Inspected by COSTEA Costea	Standardisation MUNTEANV Muntean	Date 2022-03-24	State Final Release
	Department HCS - RO	Title Han M12 X-cod 8-pol f - RJ45 PUR		Doc-Key / ECM-Nr. 101003045/UGD/000/A 500000214443		Rev. A
HARTING Customised Solutions D-32339 Espelkamp		Type TB	Number 0948C592756XXX		Page 1/1	